



## Best Battery Diode Systems

FAST Technologies Best Battery Diodes for Electrical Switchgear and Engine Starting have been developed in partnership with industry leaders. Designed to deliver power from two different batteries to one or two loads.

Designed to deliver power from two different batteries to one or multiple loads.

If one battery has failed, or has a lower SOC, power will automatically flow to the starters or loads from the other "Best" battery.

FAST Technologies BBD's Solid-State technology in high power diodes mounted on large heat sinks to reduce any maintenance, as no forced is required.

The FAST Technologies BBD's can be installed with ease, and they will operate without the need for human intervention.

As standard - FAST BBD's include thermostatic over temperature switches, incorporated into the heat sinks to allow remote monitoring and indication of the heat sinks reaching 50DegC and 110DegC.

Two FAST BBD models are available offering 2800A and 4800A inrush current ratings which are suitable for a wide range of loads such as Engine Cranking, Switchgear Tripping and Communications and suitable for Voltages from 12 to 150VDC nominal.

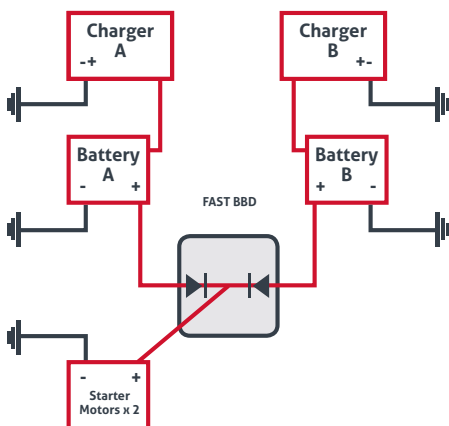
- **BBD 4800**

Suitable to give an output of 24 volts at 4,800 amps for 100 milliseconds followed by 2,250 amps for 9.9 seconds 8 times with a 10 second pause between each repetition at an ambient temperature of 30oC. Constant current of 85 Amps.

- **BBD 2800**

Suitable to give an output of 24Vdc 2800 amps for 100 milliseconds followed by 1500 amps for 9.9 seconds repeated 8 times with a 10 second pause between each cycle in an ambient / cubicle temperature of 30°C. Constant current of 83 Amps.

### Simplified Connection Diagram – Two Batteries and One Load



We can supply the diode as single units only or we can offer a range of integrated fully assembled systems which include:

- Auxiliary monitoring - Diode Panel Temperature Shutdown.
- Thermostatic switch for remote temperature indication
- Fast Recovery Diodes (T-Modules)
- Dual Pole Master Disconnect isolators
- Low Voltage Monitoring
- MCB Protection
- Touch Prof Lexan Cover (IP20)
- + More options on request.



DC SYSTEMS